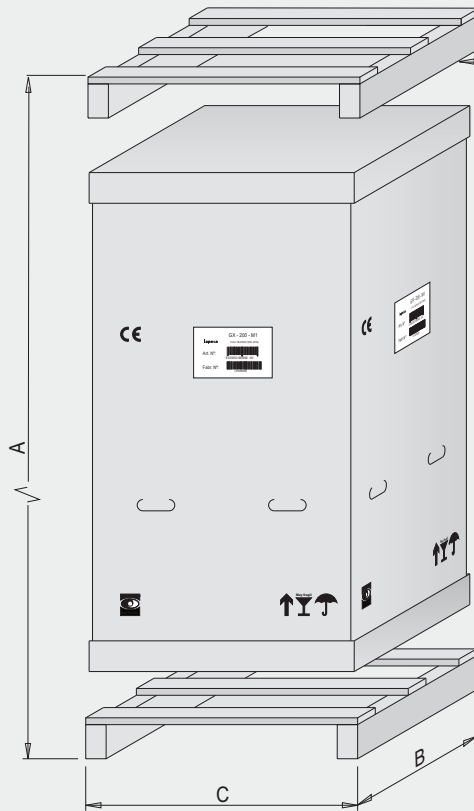


Packaging



Only for GX-130/300/400/600-D-I
 GX-130/300/400/600-D-I(1)
 GX-400/600/800/1000-P-I
 GX-400/600-PAC-I

Scope of supply

The tanks are supplied with suitable packaging for their correct handling, positioning and identification.

Each supply includes. The model of storage tank ordered, installation and handling instructions and the guarantee forms.

All of this comes inside a sealed, totally waterproof plastic bag which is placed in a reinforced cardboard box.

This box is strapped to a pallet of the same size.

The packaging is marked with the tank model, colour and serial number.

Technical characteristics		GX130DI/GX130D11	GX200DI	GX210D11/DI2	GX260D11/DI2
A: Total height	mm.	1480	1685	1685	2230
B: Total depth	mm.	500	640	640	640
C: Total width	mm.	500	640	640	640
Weight of packaging (*)	Kg.	9.1	7.3	9	10
Stockable units	und.	2	2	1	1

Technical characteristics		GX300DI	GX300D11/DI2	GX400DI/DI1	GX600DI/DI1
A: Total height	mm	1565	2230	2050	2035
B: Total depth	mm	640	640	690	840
C: Total width	mm	640	640	690	840
Weight of packaging (*)	Kg	12	10	13,1	17,1
Stockable units	uds	2	1	1	1

Technical characteristics		GX300P-I/PAC-I	GX400P-I/PAC-I	GX600P-I/PAC-I	GX800P-I	GX1000P-I
A: Total height	mm.	2230	2050	2035	2150	2560
B: Total depth	mm.	640	690	840	980	980
C: Total width	mm.	640	690	840	980	980
Weight of packaging (*)	Kg.	10.0	13.1	17.1	37.5	38.8
Stockable units	und.	2	2	2	1	1

Technical characteristics		GX200R/M1/M2	GX300R/M1/M2	GX400M2	GX500R/M1/M2
A: Total height	mm.	1450	1935	1920	1920
B: Total depth	mm.	640	640	790	790
C: Total width	mm.	640	640	790	790
Weight of packaging (*)	Kg.	7.8	8.6	11.2	11.2
Stockable units	und.	2	1	1	1

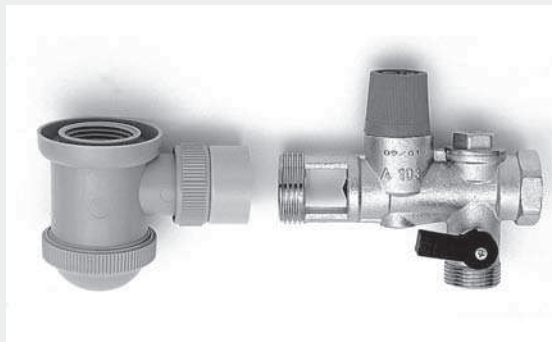
Technical characteristics		GX800R/M1/M2	GX800RB/M1B/M2B	GX1000R/M1/M2	GX1000RB/M1B/M2B
A: Total height	mm.	2050	2050	2460	2460
B: Total depth	mm.	980	980	980	980
C: Total width	mm.	980	980	980	980
Weight of packaging (*)	Kg.	25.5	25.5	27.8	27.8
Stockable units	und.	1	1	1	1

(*) Add to the weights of the different models



Electric heating elements

Electric heating elements are supplied in individual cardboard boxes with assembly instructions.



Safety group

It comprises a safety valve, non-return valve and connection from trap to drain.

The safety group is set at 7 kg/cm² and has a connection to 3 / 4" or 1".

It is supplied in separate cardboard packaging.



Control panel type "K"

It comprises a thermometer, regulation and safety bipolar thermostat, winter-summer switch and on-off control light.

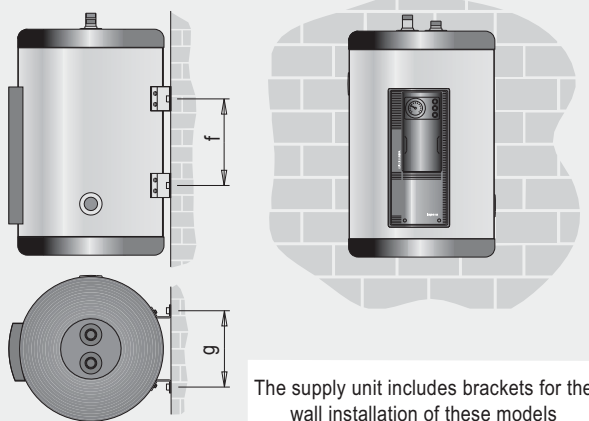
The equipment is packed in a individual cardboard boxes and includes assembly instructions.



Control panel type "KP1"

It comprises a thermometer, regulation and safety bipolar thermostat, winter-summer switch, on-off control light and analogue time programmer.

The equipment is packed in a individual cardboard boxes and includes assembly instructions.



The supply unit includes brackets for the wall installation of these models



Permanent cathodic protection equipment

The equipment comprises one or two titanium anodes, the length of which depends on the model of storage tank, a potentiostat, connection leads, seals, nuts, and washers.

The equipment is packed in individual cardboard boxes and includes assembly instructions.

Dimensions		GX-130-DI / DI1	GX-200-DI
Dimension f	mm.	580	453
Dimension g	mm.	253	325