

# DHW PRODUCTION AND STORAGE TANKS

## GEISER INOX, SINGLE / TWIN COIL

**DHW TANK MADE IN AUSTENISTIC AISI 316L STAINLESS STEEL**, which provides double the protection for chloride concentration than AISI304L and guarantees long life service.

**HIGH PERFORMANCE INSULATION GUARANTEED;** Rigid polyurethane foam cfc free 0.025 w/m °k (for example a GX300M1 litres will lose 0.19°C/h).

**STAINLESS STEEL COILS** that reach the bottom of the tank for best anti-legionella performance.

**EASY ACCESS FOR MAINTENANCE AND CLEANING** trough 2 access holes (top and side).

**800 AND 1000 LITRES** models fit trough 800mm doors thanks to its side pre-cutted insulation.

**800 AND 1000 LITRES** DN400 manhole optional.



STAINLESS STEEL

| Technical characteristics                |      |        |
|--|------|--------|
| Max. temperature DHW / primary circuit   | °C   | 90/200 |
| Max. pressure DHW tank / primary circuit | bars | 8/25   |



### GX M SERIES

- DHW TANK MADE IN AUSTENISTIC AISI 316L STAINLESS STEEL chemically pickled and pasivated.
- High performance insulation rigid PU foam CFC and HCFC free (0,025 w/m °K).
- Detachable padded lining in RAL 9016 white and cover and trims in RAL7021 grey.
- 2 access/inspection ports.
- ST control panel, with thermometer and thermostat for safety and regulation.
- Floor standing vertical installation.
- 800 AND 1000 LITRES models fit trough 800mm doors thanks to its side pre-cutted insulation.
- Optional Incoloy 825 immersion heater KRB fitted through side flange.
- Optional Incoloy 825 immersion heater KRA fitted through side top threaded connection.
- Optional K control panel: Thermometer, double safety and regulation thermostat and summer/winter switch.
- Optional KP1 control panel: Thermometer, double safety and regulation thermostat and analogic programmer.
- Optional "LAPESA Correx-up" permanent maintenance free Titanium cathodic protection available. Only needed in case of extremely agressive waters; chloride content >150mg /l.

### M1 models

- Single coil designed to reach bottom of the tank.
- DHW capacities: 300, 400, 500, 800 and 1000 litres.

### M2 models

- 2 coils One for the top part of the tank and the lower one designed to reach bottom of the tank.
- Thermometer and double safety and regulation thermostat as standard. Immersion heater not available.

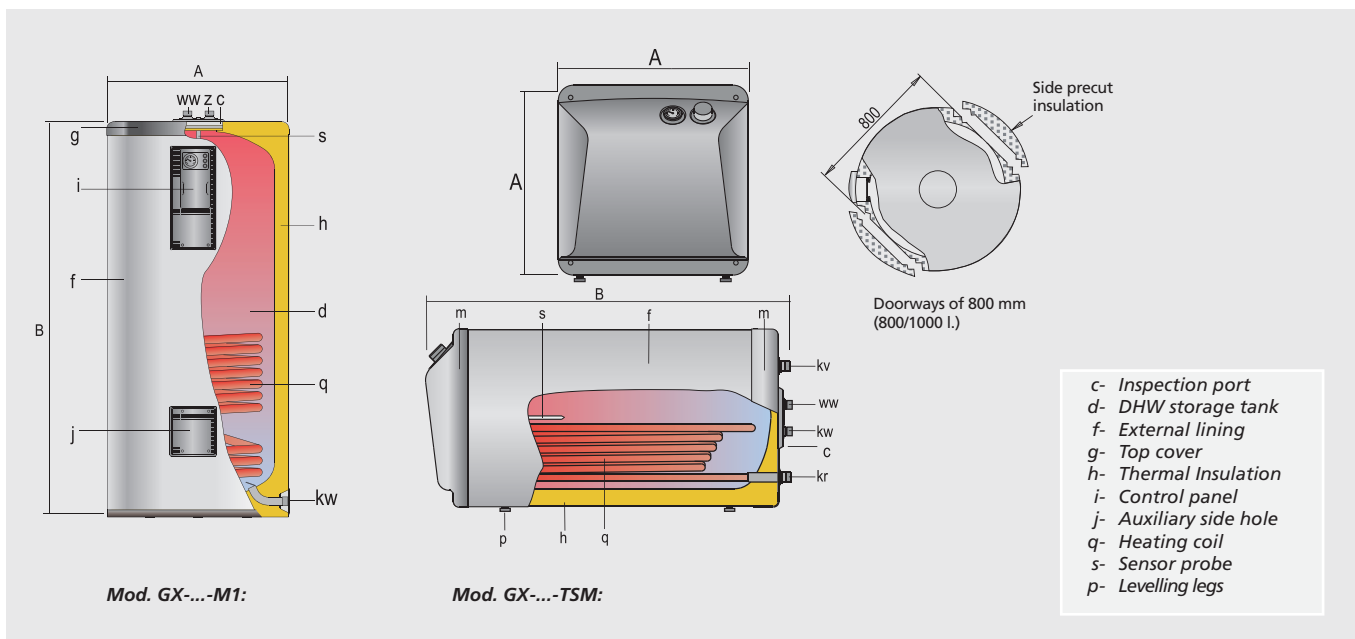
### TSM model

Horizontal design for floor installation or on top of a boiler.

- DHW capacities: 150 and 200 litres.
- Thermometer and double safety and regulation thermostat as standard. Immersion heater not available.

### Electric heating

| Electric heaters compatible | Setting                  | kW/V          | PHASE    | GX-200-M1 | GX-300-M1<br>GX-300-M2 | GX-400-M2 | GX-500-M1<br>GX-500-M2 | GX-800-M1<br>GX-800-M2 | GX-1000-M1<br>GX-1000-M2 |
|-----------------------------|--------------------------|---------------|----------|-----------|------------------------|-----------|------------------------|------------------------|--------------------------|
|                             |                          |               |          |           |                        |           |                        |                        |                          |
| KRA3/2-25                   | Connexion latérale 1,5"  | 2,5 / 230     | Mono     | X         | X                      | X         | X                      | X                      | X                        |
| KRA3/2-50                   | Connexion latérale 1,5"  | 5 / 230-400   | Mono/Tri |           |                        | X         | X                      | X                      | X                        |
| KRB-25GX                    | Side flange installation | 2,5 / 230-400 | Mono/Tri | X         | X                      | X         | X                      | X                      | X                        |
| KRB-50GX                    | Side flange installation | 5 / 230-400   | Mono/Tri |           |                        | X         | X                      | X                      | X                        |
| KRB-75GX                    | Side flange installation | 7,5 / 230-400 | Mono/Tri |           |                        |           |                        | X                      | X                        |



| Characteristics / Connections / Dimensions               |                        | GX-200<br>M1 | GX-300<br>M1/M2 | GX-400<br>M2 | GX-500<br>M1/M2 | GX-800<br>M1/M2 | GX-1000<br>M1/M2 | GX-150<br>TSM | GX-200<br>TSM |
|--|------------------------|--------------|-----------------|--------------|-----------------|-----------------|------------------|---------------|---------------|
| DHW capacity   | l.                     | 200          | 300             | 400          | 500             | 800             | 1000             | 150           | 200           |
| Heat exchange surface in upper heating circuit           | m <sup>2</sup>         | 1,1          | 1,4             | 1,8          | 1,8             | 2,7             | 3,3              | 0,7           | 0,9           |
| Heat exchange surface in lower heating circuit (Mod. M2) | m <sup>2</sup>         | 0,4          | 1,1             | 0,9          | 1,2             | 1,2             | 1,2              | -             | -             |
| Heat loss  | Wh/24h.l.K             | 0,15         | 0,11            | -            | 0,12            | 0,10            | 0,09             | -             | -             |
| Empty weight (Mod. M1 et TSM)                            | kg                     | 60           | 85              | -            | 117             | 164             | 189              | 51            | 70            |
| Empty weight (Mod. M2)                                   | kg                     | 64           | 93              | 118          | 126             | 175             | 200              | -             | -             |
| kw/e: Cold water inlet / Drain                           | "GAS/M                 | 1            | 1               | 1            | 1               | 1-1/4           | 1-1/4            | 3/4           | 3/4           |
| ww: DHW outlet (Mod. M1 et TSM)                          | "GAS/M                 | 1            | 1               | -            | 1               | 1-1/2           | 1-1/2            | 3/4           | 3/4           |
| ww: DHW outlet (Mod. M2)                                 | "GAS/M                 | 1            | 1               | 1            | 1-1/4           | 1-1/2           | 1-1/2            | -             | -             |
| z: Recirculation (Mod. M1 et TSM)                        | "GAS/M                 | 1            | 1               | -            | 1               | 1-1/2           | 1-1/2            | 3/4           | 3/4           |
| z: Recirculation (Mod. M2)                               | "GAS/M                 | 1            | 1               | 1            | 1-1/4           | 1-1/2           | 1-1/2            | -             | -             |
| kv, kr; Lower coil connections                           | "GAS/M                 | 1            | 1               | 1            | 1               | 1               | 1-1/4            | 3/4           | 3/4           |
| sv, sr: Top coil connections                             | "GAS/M                 | 3/4          | 1               | 1            | 1               | 1               | 1                | -             | -             |
| eh: Side connection                                      | "GAS/M                 | 1-1/2        | 1-1/2           | 1-1/2        | 1-1/2           | 1-1/2           | 1-1/2            | -             | -             |
| Dimension A: External diameter                           | mm                     | 620          | 620             | 770          | 770             | 950*            | 950*             | 630           | 630           |
| Dimension B: Total length                                | mm                     | 1205         | 1685            | 1523         | 1690            | 1840            | 2250             | 1000          | 1255          |
| Top coil heating power / primary flow**                  | kW - m <sup>3</sup> /h | 53-3         | 73-5            | 88-5         | 88-5            | 116-5           | 155-5            | 35-5          | 46-4          |
| Top coil heating power / primary flow**                  | kW - m <sup>3</sup> /h | 24-3         | 58-5            | 56-5         | 65-5            | 65-5            | 65-5             | -             | -             |

\*800 AND 1000 LITRES models fit through 800mm doors thanks to its side pre-cutted insulation.

\*\*Primary circuit temperature 90°C, DHW temperature increase 35°C.