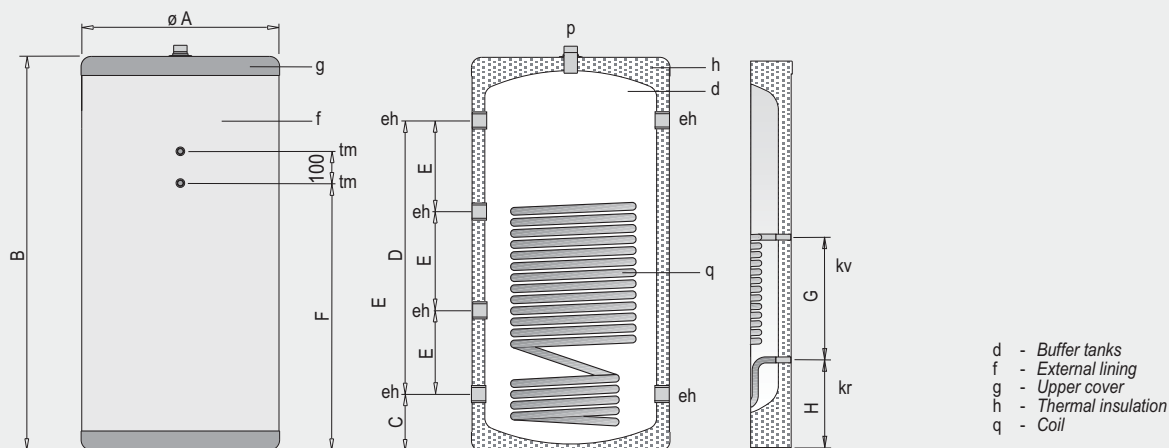
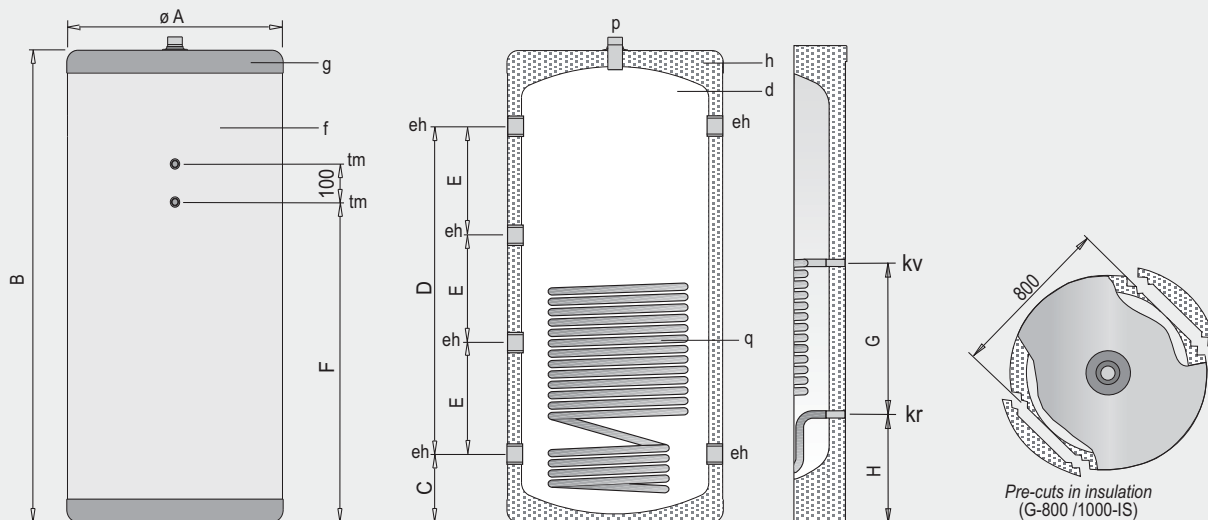


Thermal inertia tanks with coil for storage in primary circuits



Models: G-260...600-IS



Models: G-800/1000-IS

Made in carbon steel S235JR (1.0037 according to EN 10027-2)

Technical Characteristics / Connections / Dimensions		G-260IS	G-370IS	G-600IS	G-800IS	G-1000IS
Buffer tank Capacity	l	260	370	600	800	1000
Max. working temperature in buffer tank	°C	100	100	100	100	100
Max. working pressure in buffer tank	bar	6	6	6	6	6
Max. working temperature in coil	°C	200	200	200	200	200
Max. working pressure in coil	bar	25	25	25	25	25
Heat exchange surface	m ²	1.32	1.32	1.83	2.7	2.7
Weight aprox.	Kg	70	85	120	174	205
p: Upper connection	"GAZ/M	1	1	1	1	1
eh: Side connection	"GAZ/F	1-1/2	2	3	3	3
kv/kr: Coil connection	"GAZ/F	1	1	1	1	1
tm: Side sensor connection	"GAZ/F	1/2	1/2	1/2	1/2	1/2
Dimension A: External diameter	mm	620	620	770	950	950
Dimension: Overall height	mm	1240	1725	1730	1840	2250
Dimension C	mm	170	170	175	340	340
Dimension D	mm	875	1350	1290	1170	1580
Dimension E	mm	290	450	430	390	525
Dimension F	mm	845	1325	1290	1310	1720
Dimension G	mm	555	555	550	600	600
Dimension H	mm	235	270	365	365	365